

Biomass heating installation (wood chips) in D-82436 Eglfing

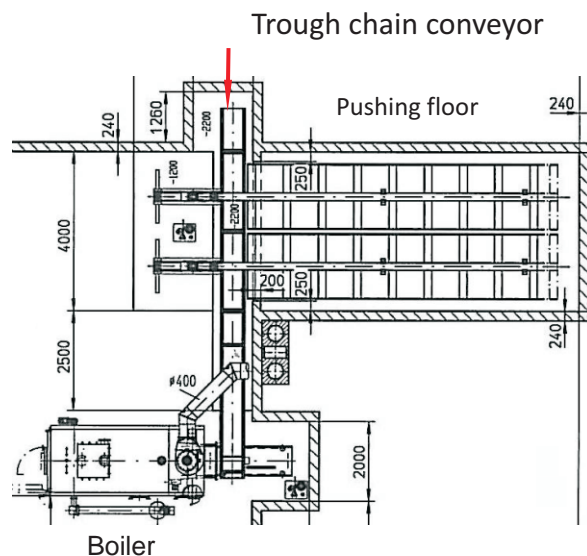
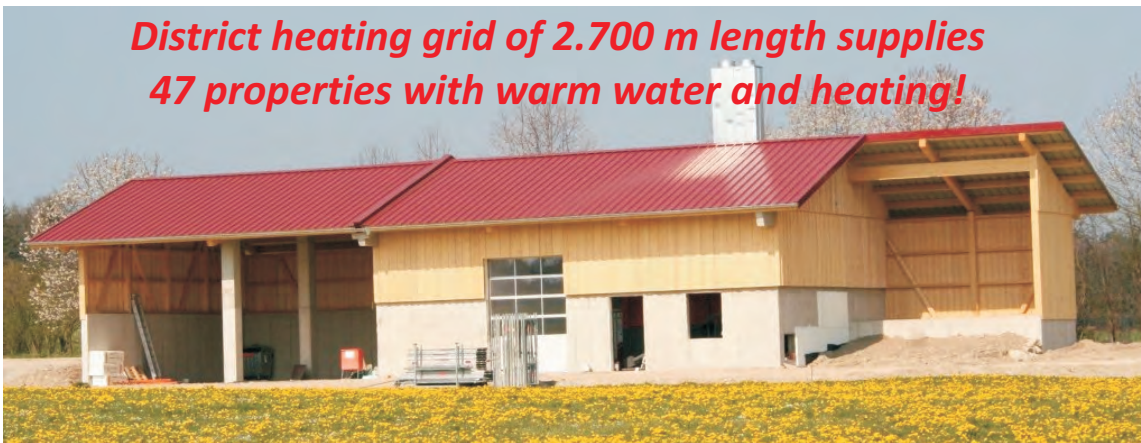
Automatic Moving Grate Firing type VRF 580/835

Boiler output: 600 kW

incl. pressure impulse cleaning, electric control,
flue gas recirculation, hydraulic insertion, trough chain conveyor

Discharge system: 2 pushing rams 8 m long each

Heating water buffer: 50.000 lt



Unloading of domestic biomass
(wood chips G100/W35)

Volume chip storage: 432 SRM

Here the financial power remains in the region!

110.000 l of heating oil and 120.000 m³ of
natural gas are replaced by the wood chips:

Savings of CO² output:

ca. 600.000 kg per year