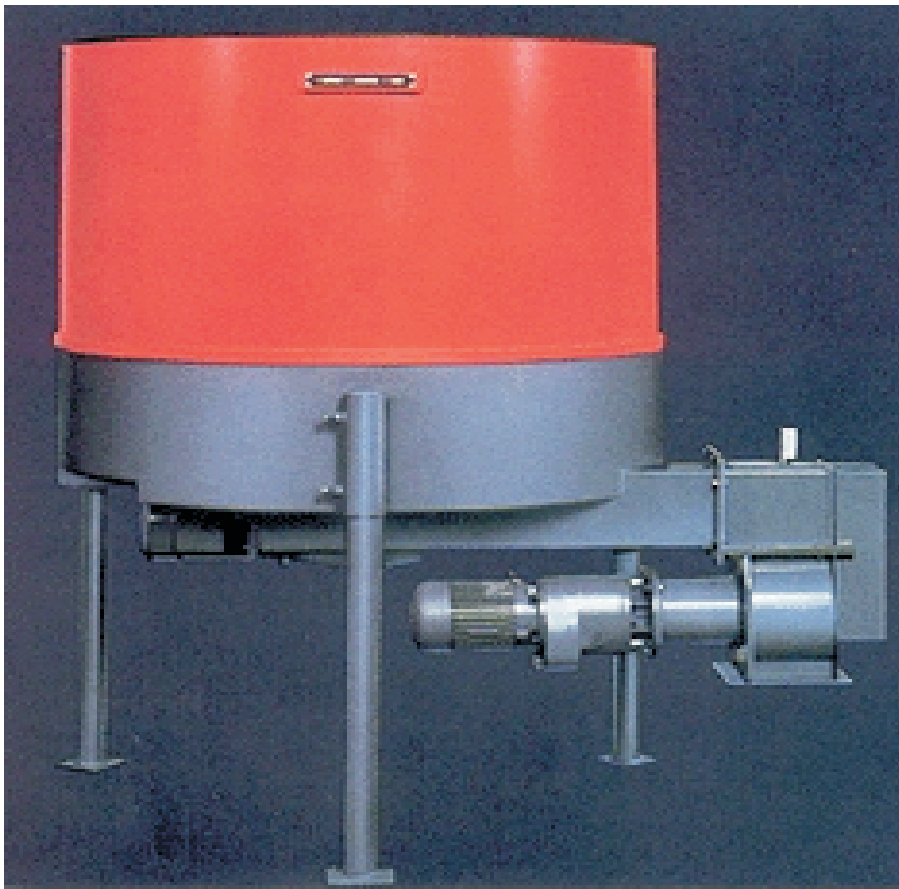


Storage and dosing bin

type VB

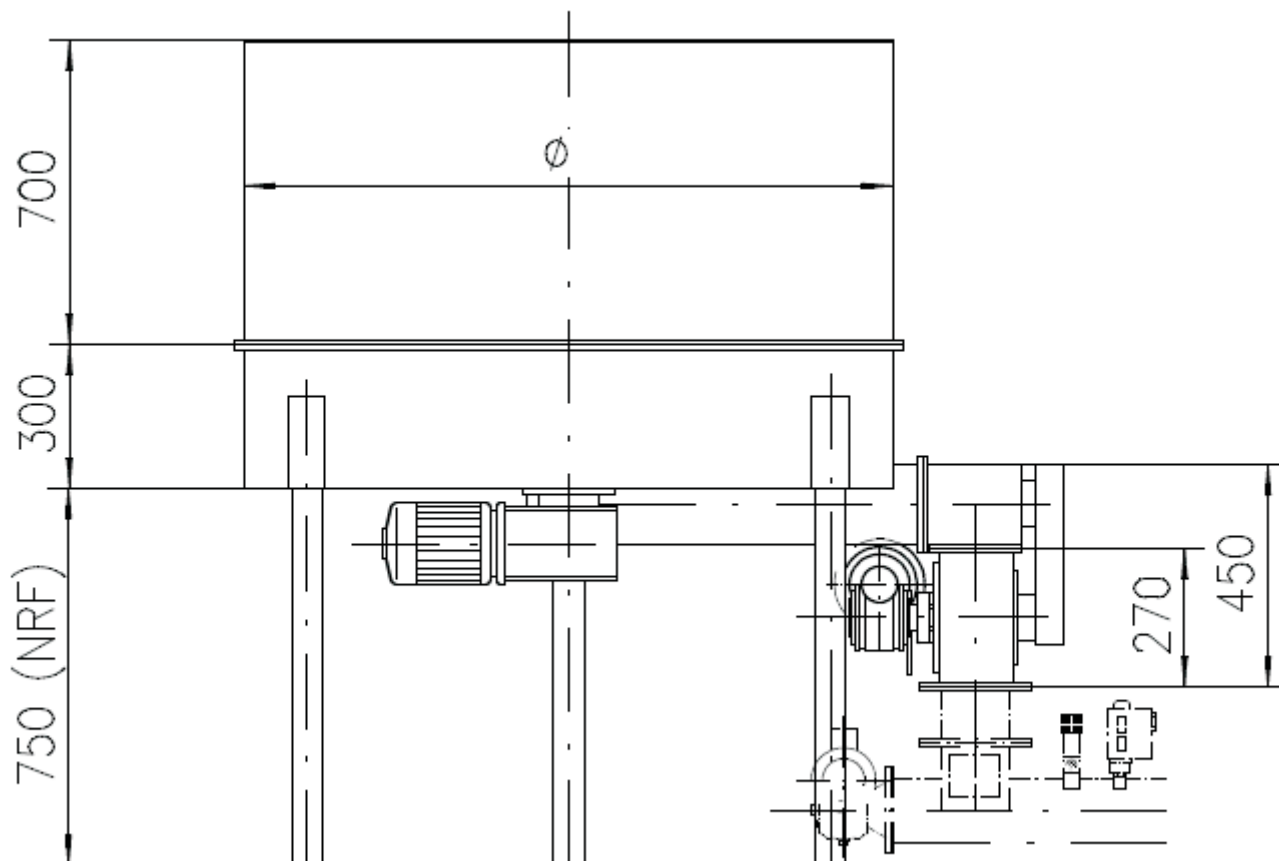


type VBR

for feeding automatic combustion plant
with wood fuels: shavings, wood chips,
pellets and briquettes

Q Z S
Quality
Reliability
Safety

Type VBR 10, 15, 25 bin sizes



■ The robust model **VBR** bins are equipped with agitator and drive unit. Dependent upon requirements, feeding of up to two automatic combustion units is possible.

The type **VB** square version is a storage bin with integral sliding floor discharge.

Model (round)	Capacity	Ø (mm)	X (mm)	Motor capacity* Bin	Motor capacity Screw / sluice
VBR 10	1,0 m ³	1200	780	0,37 - 2,2 kW	0,55 kW
VBR 15	1,5 m ³	1400	880	1,1 - 2,2 kW	0,55 kW
VBR 25	2,5 m ³	1800	1080	2,2 kW	0,55 kW
Model (square)	Capacity	B	L	Motor capacity* Bin	Motor capacity Screw / sluice
VB 23/30	6,9/10 m ³	2300	3000	0,75 kW	0,55 kW

* dependent upon material and bin height ¹⁾

¹⁾ Bin height is optional

Nolting Holzfeuerungstechnik GmbH

Aquafinstraße 15
D - 32760 Detmold

Phone: +49 (0)5231/9555-0
Fax: +49 (0)5231/9555-55

E-mail: info@nolting-online.de
Internet: www.nolting-online.de